

# OL - 600

## LED Operating Light



 **FARAFAN**

# OL - 600 + 600

## LED Operating Light

### Features:

- Slim, Compact, and powerful light head enables smooth, fast and precise positioning, while providing 160,000 Lux or output.
- High quality LEDs from reputable manufacturer provides numerous advantages.
- The emission spectrum of the LEDs are almost entirely within the visible region, so there are no harmful ultraviolet or infrared emissions.
- With negligible infrared emissions, the light source is inherently cold, eliminating the danger of tissue dehydration during surgery.
- LEDs used in this light are safe and reliable with an expected life of 50,000 hours. Long LED life provides a drastic reduction in maintenance costs and down time.
- Higher efficiency of LEDs results in reduced power consumption and less heat generation.
- A high Color Rendering Index of 97 and Red color rendering index of 95 makes a realistic reproduction of tissue color. The color temperature of the light remains constant regardless of the setting of luminous intensity.
- Four groups of LEDs with different color temperatures make it possible for the surgeon to adjust the color in 5 stages, while maintaining high CRI and R9 in all settings.
- Innovative, State of the art optics provide exceptional light beam concentration in spite of compactness.
- High efficiency reflectors make it possible to reach 160.000 Lux of output with only 42 LEDs, thus reducing power consumption and minimizing heat generation.
- Advanced reflector design guides the light only to the operation area in an ultra-narrow beam, thus minimizing the Stray light so there is no strain on surgeon's eyes.
- Up-to-date electronic design ensures efficient activation of the LEDs and easy adjustment of both the output intensity color temperature.
- Generously sized head contains 1 central and 6 peripheral modules, which are mechanically focused by rotating the sterilizable handle, providing excellent shadowless operation, depth of field and light penetration into cavities.





- ◆ Robust mechanical design and construction ensures reliable operation and minimal maintenance.
- ◆ Aluminum dome provides maximum heat dissipation, thus prolonging LED life even further.
- ◆ Light head is mounted on multi-movement arm mechanism capable of positioning the light head within an exceptionally large envelope of adjustments. The arm mechanism has 7 axes

---

# OL - 600M

## Mobile LED Operating Light

---



## Technical Specification:

Light Intensity at 1m distance	: 160 Klux
Intensity Adjustment	: 5% to 100%, Adjustable in 8 steps
Color Temperature	: 3500-5000 °K, Adjustable 5 steps
Color Rendering Index (CRI)	: 97
Red Color Rendering Index (R9)	: 95
No. of LEDs	: 42
Focus	: 850 to 1700 mm, mechanically adjustable by handle
Light Field Diameter	: 120 to 250 mm
Dept of Illumination (L1+L2) at 60%	: 470 mm
Total Radiated Energy (Ee)	: 420 W/m <sup>2</sup>
Ratio Between Radiated Energy and Illuminance	: 2.62 mW/m <sup>2</sup> .Lx
Remaining Illuminance with One Mask	: 84 Klux (55%)
Remaining Illuminance with Two Mask	: 63 Klux (39%)
Remaining illuminance with Tube	: 130 Klux (81%)
Remaining Illuminance with One Mask and Tube	: 66 Klux (41%)
Remaining Illuminance with Two Mask and Tube	: 52 Klux (33%)
LED life	: 50,000 Hours
Light Head Diameter	: 640 mm
Power	: 220 V, 50Hz
Power consumption	: 135 W
Protection Class	: IP 32
CE Marking	: Yes

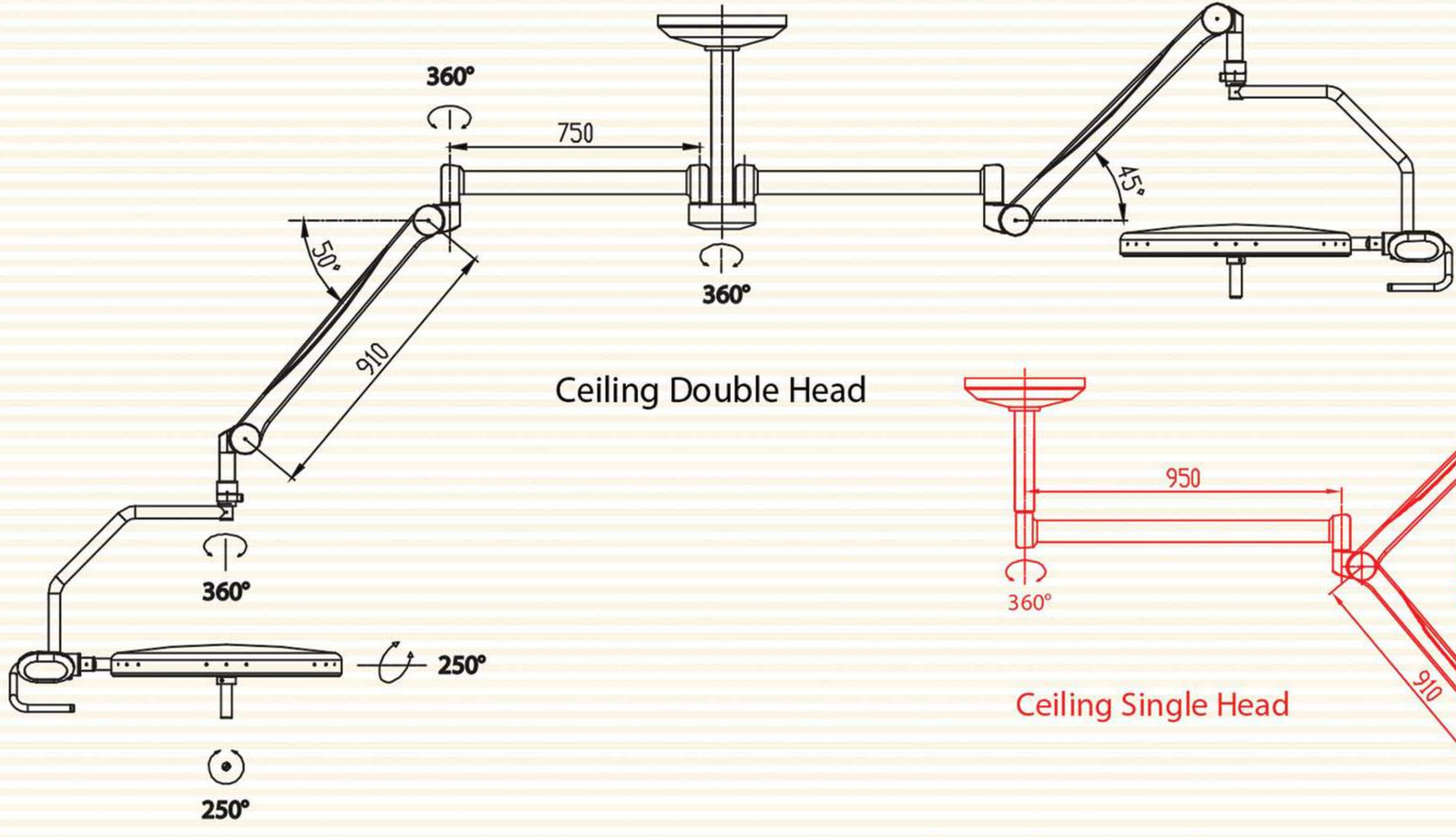
Specification subject to change without notice.



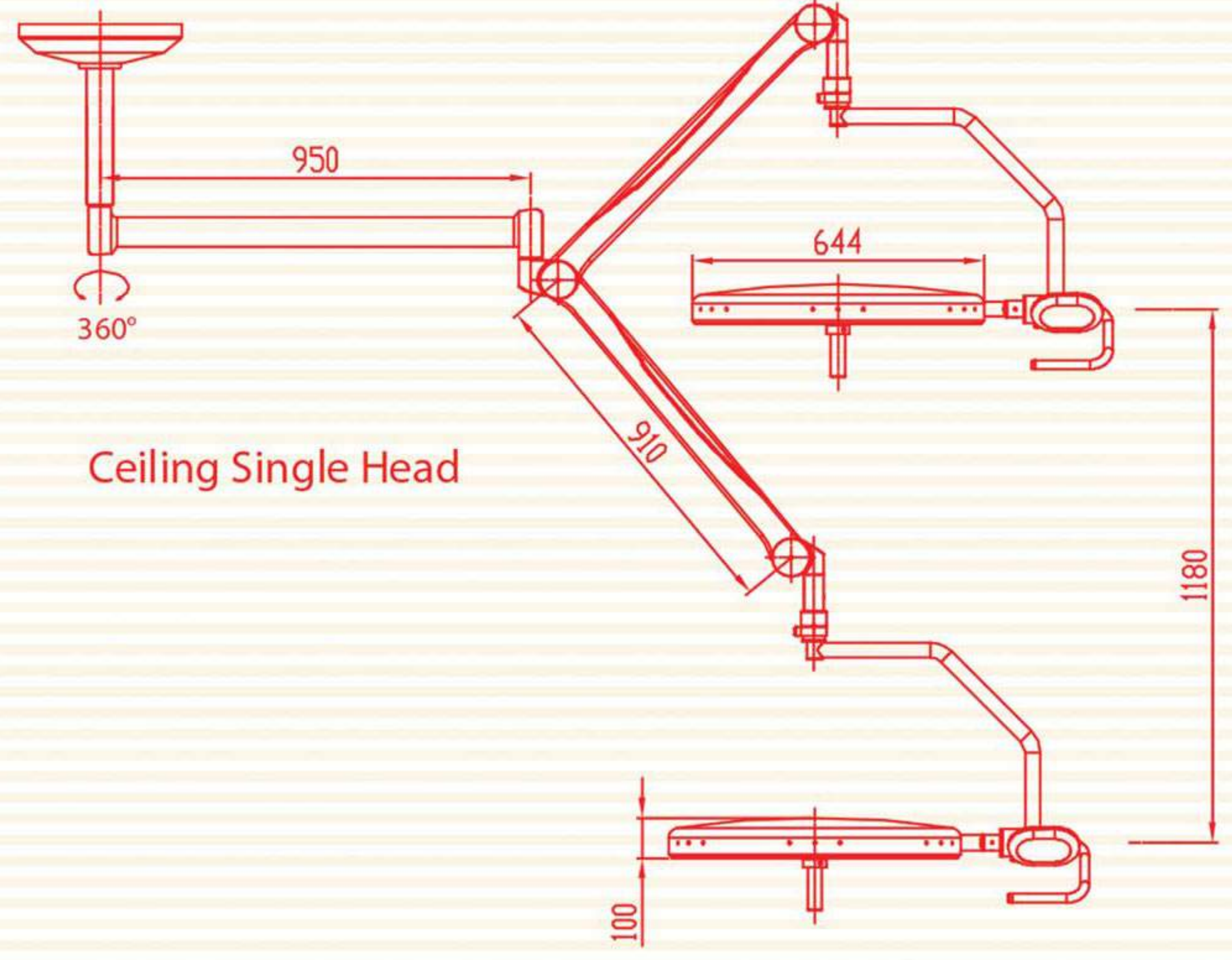
**Farafan Eng. Co.**

No. 2, Sahel St., Olympic Blvd, Olympic Cir.,  
Tehran 14858-53604 Iran  
Tel & Fax: +98-21-91302718  
Email: [business@farafan.com](mailto:business@farafan.com)  
website: [www.farafan.com](http://www.farafan.com)





Ceiling Double Head



Ceiling Single Head

Lorem Ipsum

